

## Telephone & Cable Indoor Stand Alone Protection Surface Installation

### Models

#### Model Numbers:

IG2TM  
IG4TM  
IG1CM

#### Description:

2-line telephone protector with indoor enclosure (NEMA 1)  
4-line telephone protector with indoor enclosure (NEMA 1)  
1-line coaxial cable protector with indoor enclosure (NEMA 1)

#### Optional Modules

IG2T  
IG1C

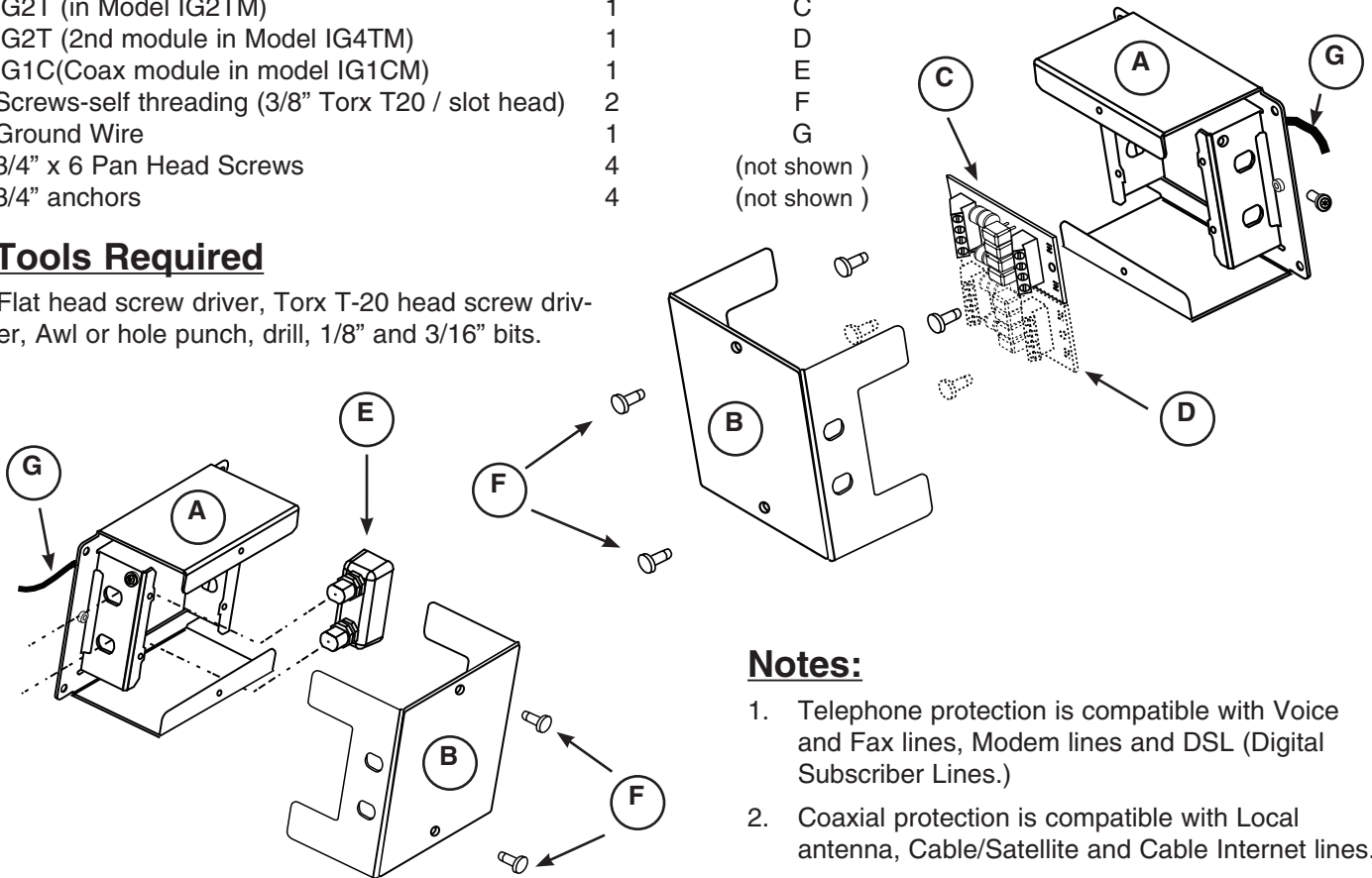
2-phone line protection module  
coaxial cable protection module

### Parts List

| Description                                       | Quantity | Reference   |
|---------------------------------------------------|----------|-------------|
| Mounting Frame                                    | 1        | A           |
| Cover / Back plate                                | 1        | B           |
| IG2T (in Model IG2TM)                             | 1        | C           |
| IG2T (2nd module in Model IG4TM)                  | 1        | D           |
| IG1C(Coax module in model IG1CM)                  | 1        | E           |
| Screws-self threading (3/8" Torx T20 / slot head) | 2        | F           |
| Ground Wire                                       | 1        | G           |
| 3/4" x 6 Pan Head Screws                          | 4        | (not shown) |
| 3/4" anchors                                      | 4        | (not shown) |

### Tools Required

Flat head screw driver, Torx T-20 head screw driver, Awl or hole punch, drill, 1/8" and 3/16" bits.



### Notes:

1. Telephone protection is compatible with Voice and Fax lines, Modem lines and DSL (Digital Subscriber Lines.)
2. Coaxial protection is compatible with Local antenna, Cable/Satellite and Cable Internet lines.

### Before Installing

1. This device is intended for surface mounting. If unit is to be flush mounted (inside of wall) make sure that you have the FLUSH MOUNTING KIT, part number **IGFLUSH**.
2. Check the parts in the package against the Parts List shown above. Contact Intermatic if parts are missing.
3. It is suggested that you read these instructions completely before installing the Stand Alone Protection (SAP) unit.

**Note:** These modules rely on a good ground connection to function properly. Ground availability should be a consideration when selecting an installation location.

**Do not install Protection Devices during Electrical Storms.**