

ET8215B

7-Day Electronic Cellular

Astronomic Time Switch

The ET8215B Electronic Cellular 7-Day Astronomic Time Switch features an interactive web browser-based interface that gives users remote access to the device from their smartphone, tablet, or computer. The Cellular M2M system enables remote scheduling, monitoring, and electrical load control. The time switch also features a USB port to update firmware. The time switch offers 28 events (14 ON/14 OFF) that can be applied to any combination of circuits and days. The advanced time switch comes with a 100-hour supercapacitor to provide time keeping and automatic carryover with no maintenance. The time switch is housed in a lockable enclosure to protect against vandalism and tampering.

Features

- Interactive web-browser based interface
- Cellular-based M2M system
- Remote scheduling, monitoring, and electrical load control
- 7-Day scheduling enables programs to be repeated on a weekly basis
- Auto-voltage adjustment between 120 and 277 VAC, 50/60 Hz.
- Astronomic features provides sunset ON and sunrise OFF settings to eliminate separate photo control devices
- To-the-minute programming for accurate load control and reduced energy costs
- Automatic Daylight Savings Time
- Non-volatile EEPROM memory
- Control buttons enable manual circuit override
- Each pair of relays is independently software configurable with independent programs to provide a sunset ON and timed OFF program

Ratings

Enclosure:	Gray Plastic
Knockouts:	Combination 1/2" & 3/4" Knockouts Bottom: 2, Left: 1, Right: 1, Back: 1
Input Voltage:	120-277 VAC 50/60 Hz
Operating Temperature:	-40°F to 122°F (-40°C to 50°C)
ET8215B	
Contact Ratings:	N.O. Contact Ratings: Resistive: 30 Amps @ 120/240 VAC Resistive: 20 Amps @ 28 VDC Inductive: 30 Amps @ 120/240 VAC Tungsten: 5 Amps @ 120/240 VAC Ballast: 20 Amps @ 120-277 VAC, Electronic Ballast: 4.5 Amps @ 120-277 VAC Motor: 1 HP @ 120 VAC Motor: 2 HP @ 240 VAC
Pulse Feature:	2-second pulse option for contactor and bell ringing applications.
Auto DST:	Automatic adjustment for

Project: _____

Location: _____

Product Type: _____

Contact/Phone: _____

Model #: _____



	Daylight Saving Time
Supercapacitor Backup:	100 hour supercapacitor maintains date and accurate time. Supercapacitor fully recharges in 30 minutes.
Wiring Terminals:	#18 to #10 AWG wire
Minimum ON/OFF Time:	1 minute
Maximum ON/OFF Time:	6 days, 23 hours 59 minutes
Warranty:	Limited 1 year

Model Number	Circuits	Switch	Volts AC	Rating	Enclosure	Shipping Weight
ET8215B*	2	SPST	120-277	30 Amps	Type 3R Steel	3.7 lbs. (1.7 kg)

*Can be wired to DPST

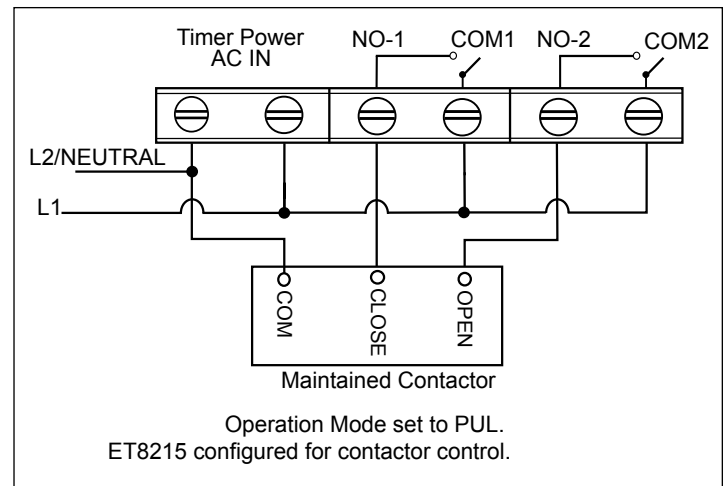
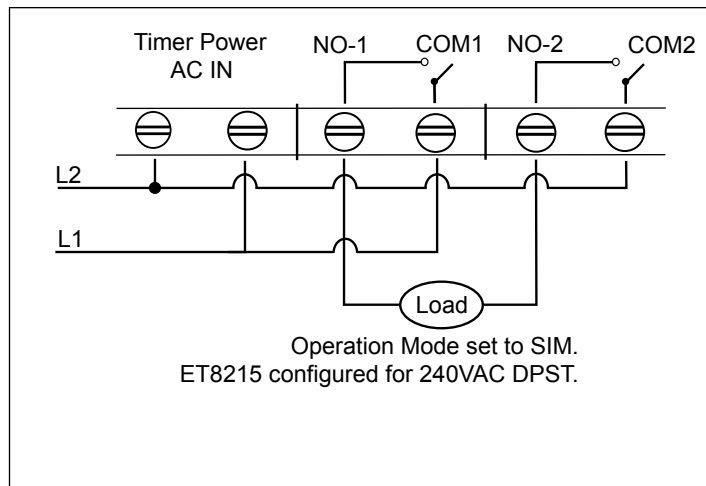
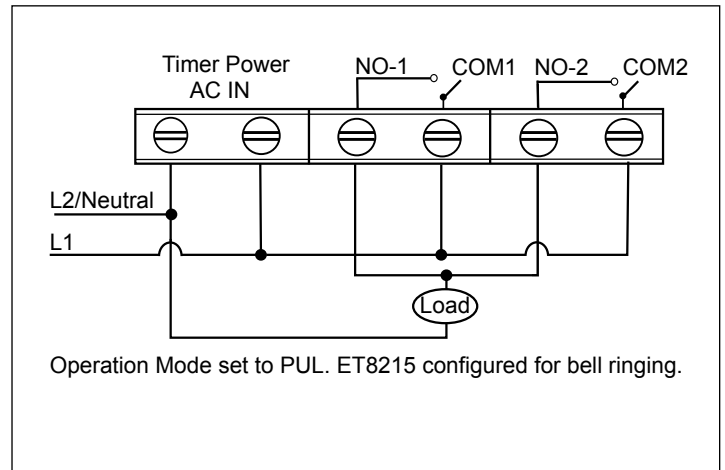
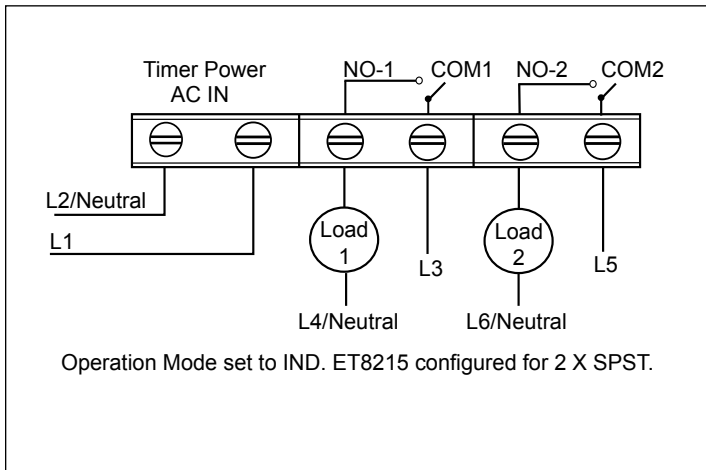
Specification

The Cellular 7-Day Astronomic electronic-type time switch shall have an interactive web browser-based interface that facilitates timer access from smartphone, tablet, or computer. The device shall also have a Cellular-based M2M system to provide remote scheduling, monitoring, and electrical load control. The device shall be capable of permitting up to 14 ON/14 OFF events. In addition, the time switch shall include selectable Astronomic (sunrise/sunset) settings for each day and circuit to allow load switching at sunset and/or sunrise without a photo control device. The time switch shall provide a minimum ON or OFF time of 1 minute. The time switch to be powered by ___ (120)(208)(240)(277) VAC, ___ (50)(60) Hz power supply. The time switch mechanism features a snap-in design to provide easy mechanism removal for mounting the enclosure. The time switch enclosure shall be UL Type 3R suitable for both indoor or outdoor installation. The time switch shall provide clear terminal identification on a see-through non-curling terminal insulator. Terminal connections shall provide secure connections for wire sizes up to #10 AWG. Switch configuration shall be _____ (SPST)(DPST) with a UL or CSA listed switch rating of:

- Resistive: 30 Amps @ 120/240 VAC
- Resistive: 20 Amps @ 28 VDC
- Inductive: 30 Amps @ 120/240 VAC
- Tungsten: 5 Amps @ 120/240 VAC
- Ballast: 20 Amps @ 120-277 VAC
- Motor: 1 HP @ 120 VAC
- Motor: 2 HP @ 240 VAC

The time switch shall be UL or CSA listed under UL category 916 Energy Management Equipment and shall be Intermatic model ET8215B.

Diagrams





Notes
